

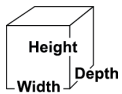
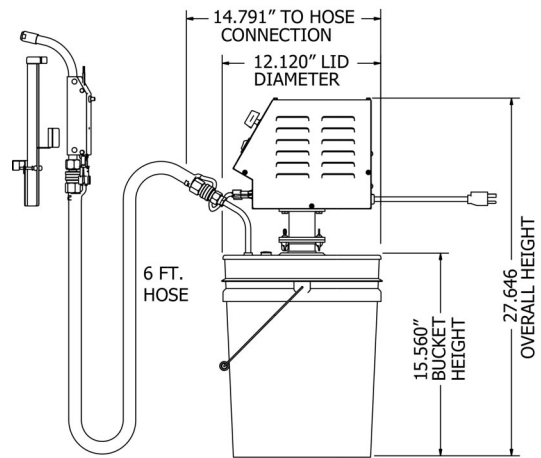


GOLD MEDAL® PRODUCTS CO.

EZ Flo Batter Pump

Model No. 5098-00-300

Specifications



Overall Dimensions:

Width: 12.12" (30.8 cm)

Depth: 14.79" (37.6 cm)

Height: 27.65" (70.3 cm)

Features:

- Batter flow adjustment knob
- 6 ft hose
- 5 gallon bucket
- Fryer hook assembly

Electrical - Domestic

120V

60 WATTS 60 Hz

(NEMA 5-15P) Plug

Plug Type:



NEMA 5-15P

Agency Approvals:



Gold Medal Products Co.

10700 Medallion Drive, Cincinnati, OH 45241

Ph: (513) 769-7676, (800) 543-0862; Fax: (513) 769-8500

gmpopcorn.com info@gmpopcorn.com